



MNS
ENGINEERS INC
25 SAN JUAN GRADE ROAD
SUITE 105
SALINAS CA 93906
PHONE (831) 242-0058

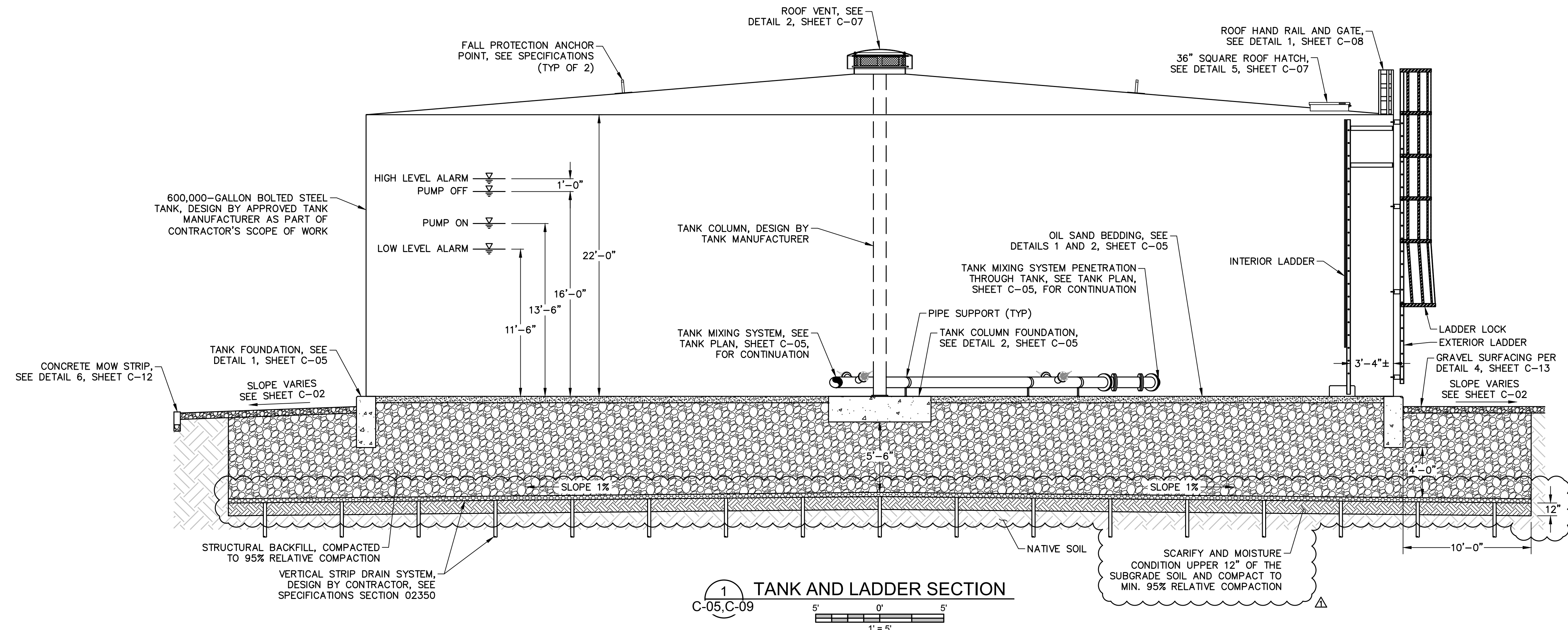
PAJARO/SUNNY MESA
COMMUNITY SERVICES
DISTRICT

APPROVED: _____ DATE _____
DISTRICT ENGINEER SIGNED DATE _____
ORIGINAL SIGNED DATE _____

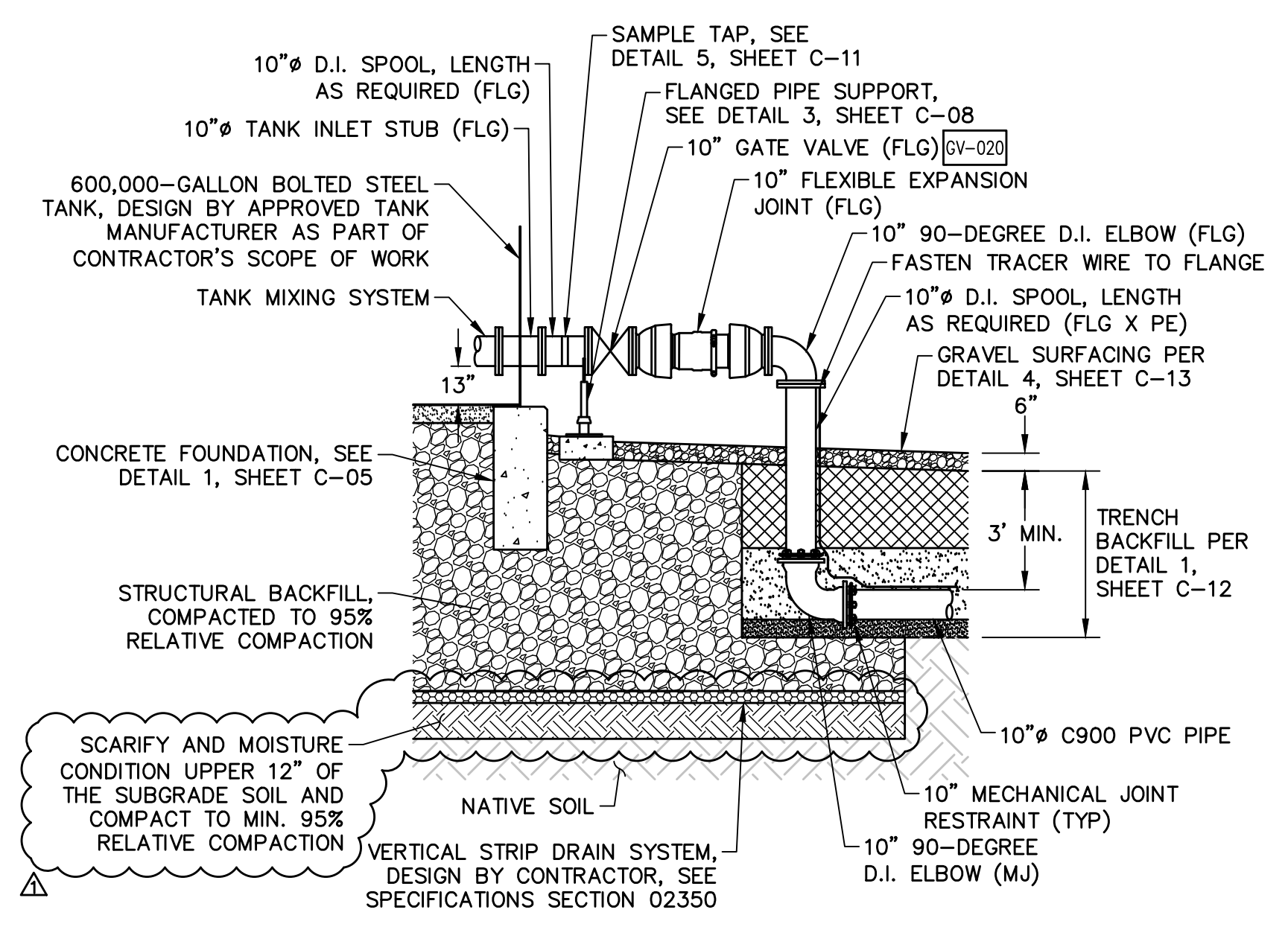
DESIGN SPP _____
DRAWN SPP _____
CHECKED NEE _____

DATE APPROVED 10/24/18

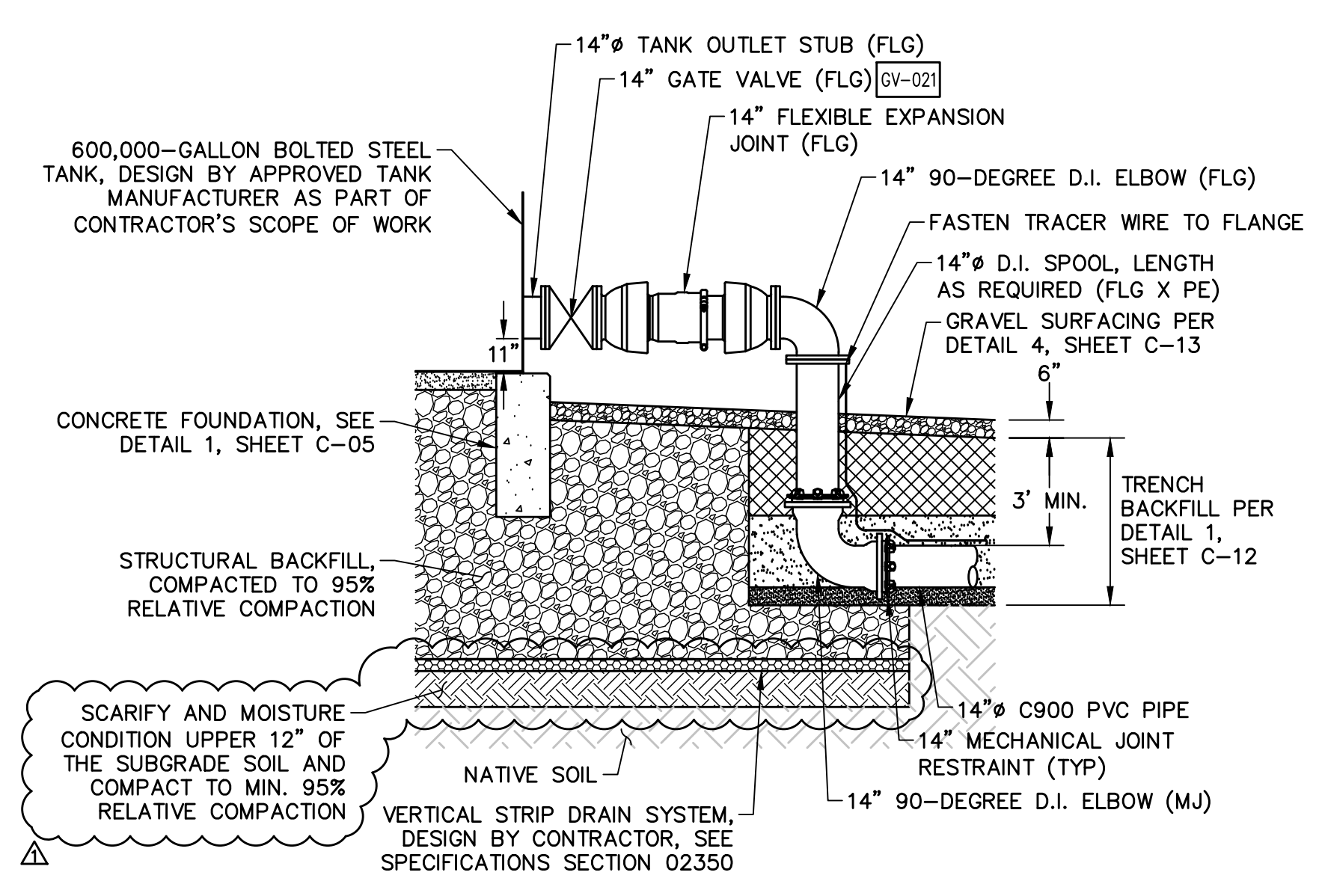
NO.	REVISIONS
1	ADDENDUM NO. 1



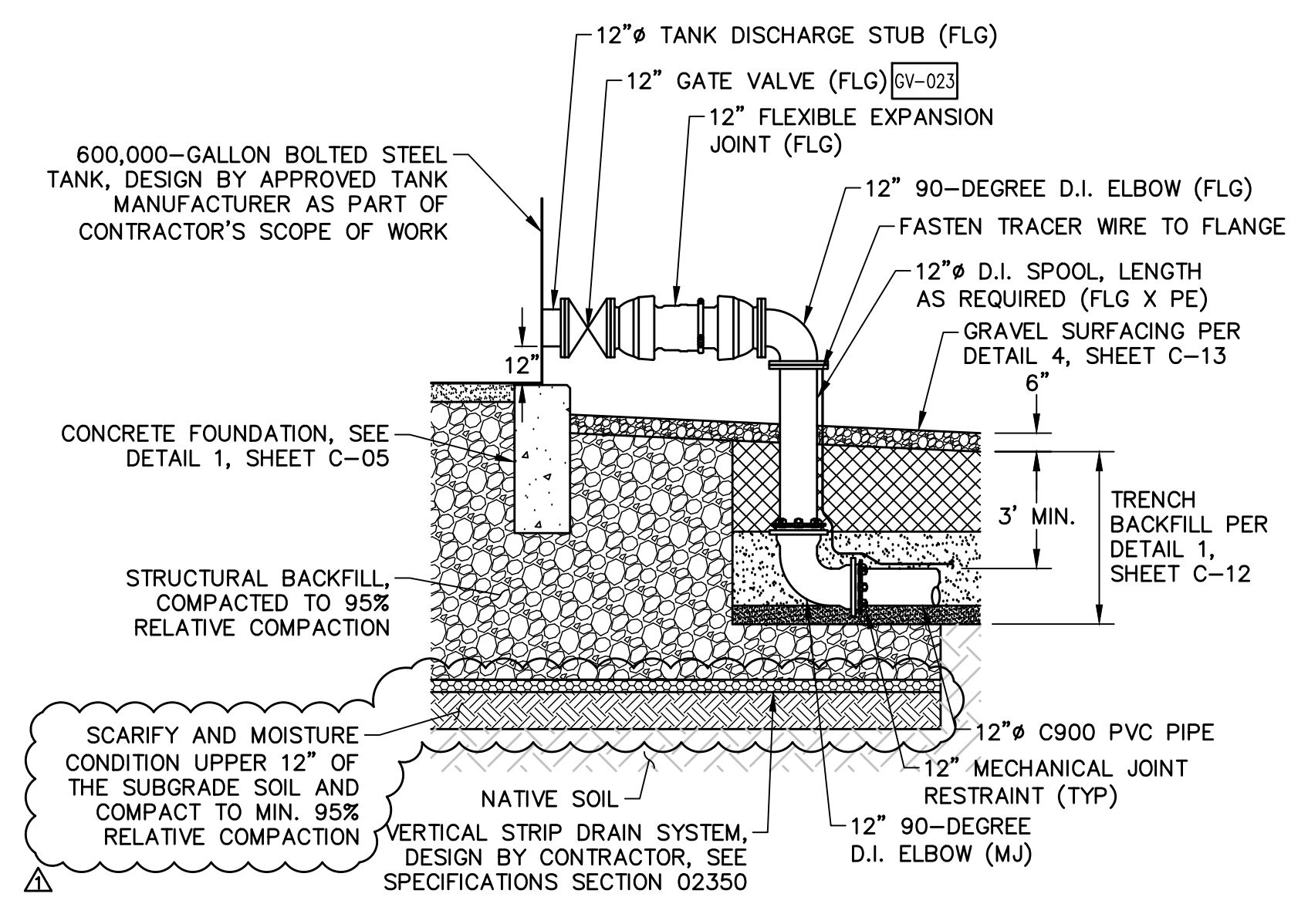
1 TANK AND LADDER SECTION
C-05, C-09
1" = 5"



2 10" TANK INLET DETAIL SECTION
C-05
1/4" = 1"



3 14" TANK OUTLET DETAIL SECTION
C-05
1/4" = 1"



4 12" TANK DISCHARGE DETAIL SECTION
C-05
1/4" = 1"

NOTE: TANK PLAN, SECTIONS, AND DETAILS ARE SHOWN FOR REFERENCE ONLY AND ARE MINIMUM REQUIREMENTS. TANK MANUFACTURER TO PROVIDE ALL DETAILS FOR REVIEW AND APPROVAL.



Know what's below.
Call before you dig.



PROJECT ENGINEER DATE 10-24-18
MNS PROJECT NO. PSMCS.140099.00

CRITICAL WATER SUPPLY IMPROVEMENTS FOR PAJARO
TANK SECTIONS & DETAILS - 1

C-06

SHT. 8 OF 19