



MNS
ENGINEERS INC
25 SAN JUAN GRADE ROAD
SUITE 105
SALINAS CA 93906
PHONE (831) 242-0058

PAJARO/SUNNY MESA
COMMUNITY SERVICES
DISTRICT

APPROVED: _____ DATE _____
DISTRICT ENGINEER ORIGINAL SIGNED DATE _____

DESIGN SPP _____
DRAWN SPP _____
CHECKED NEP _____

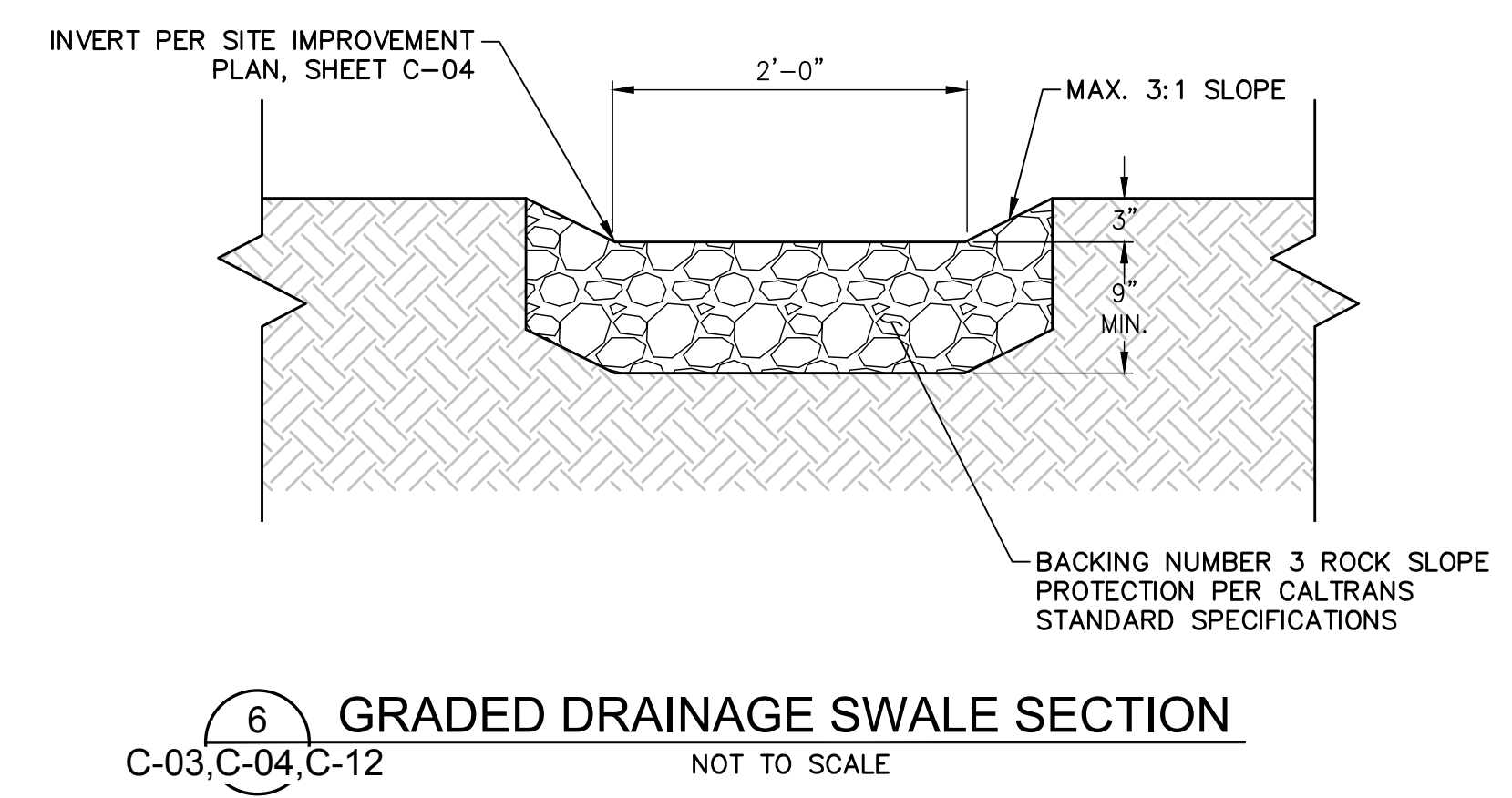
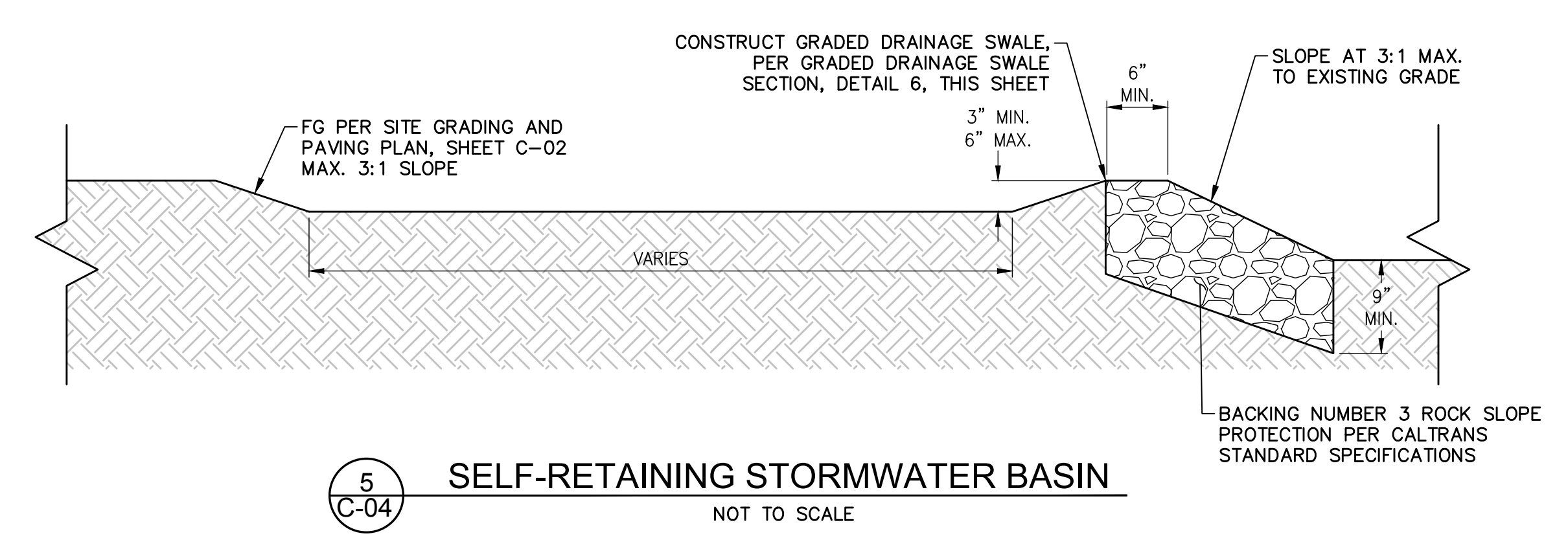
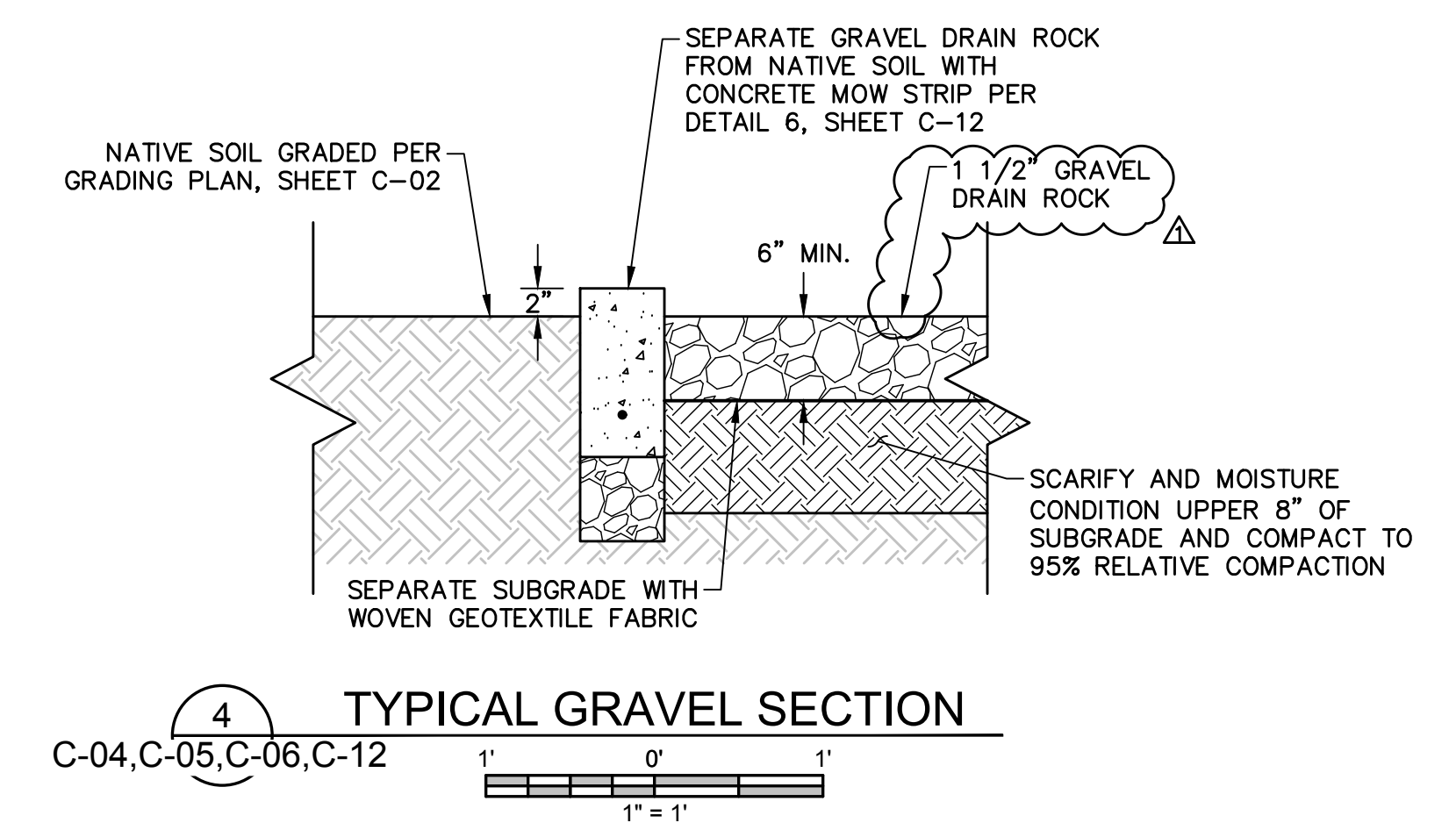
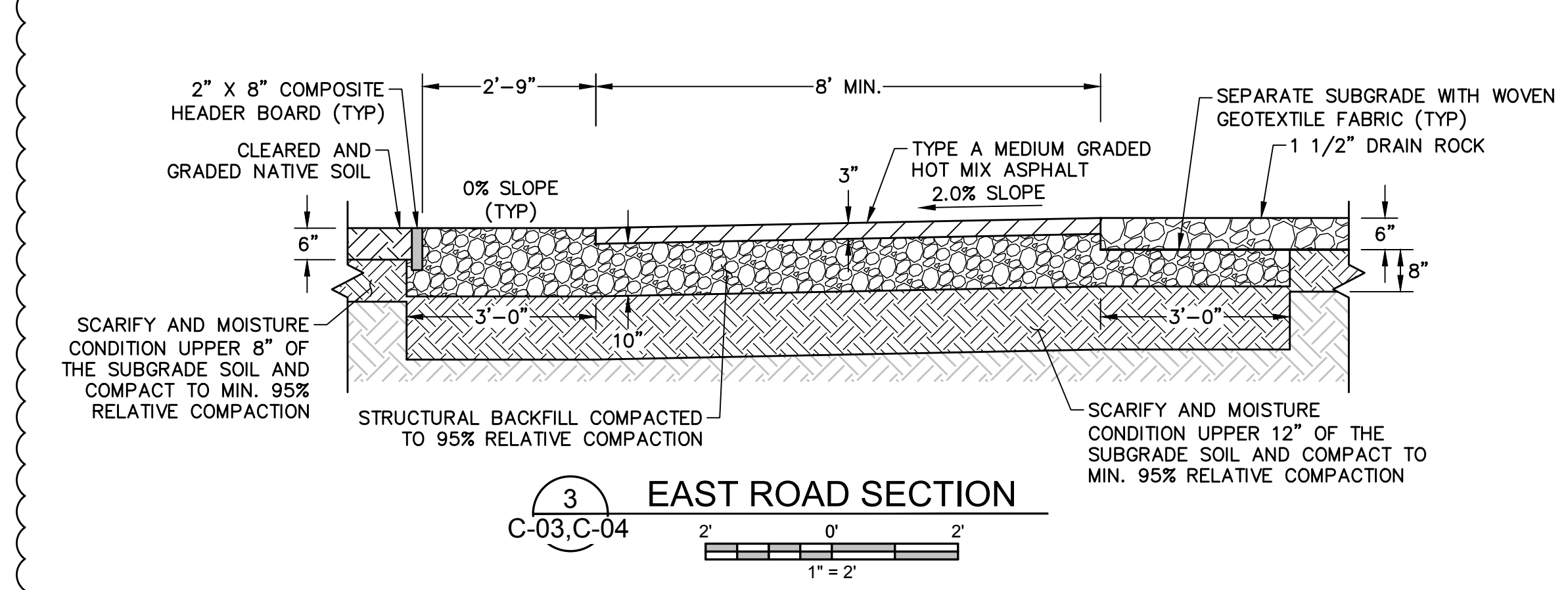
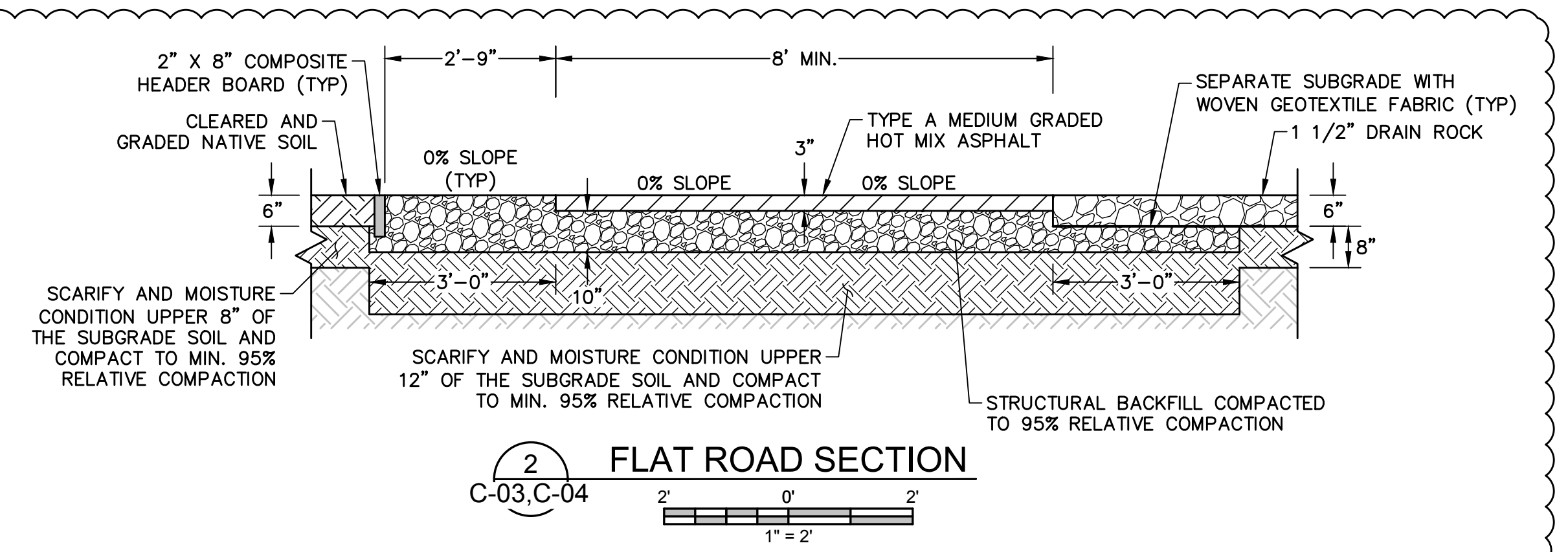
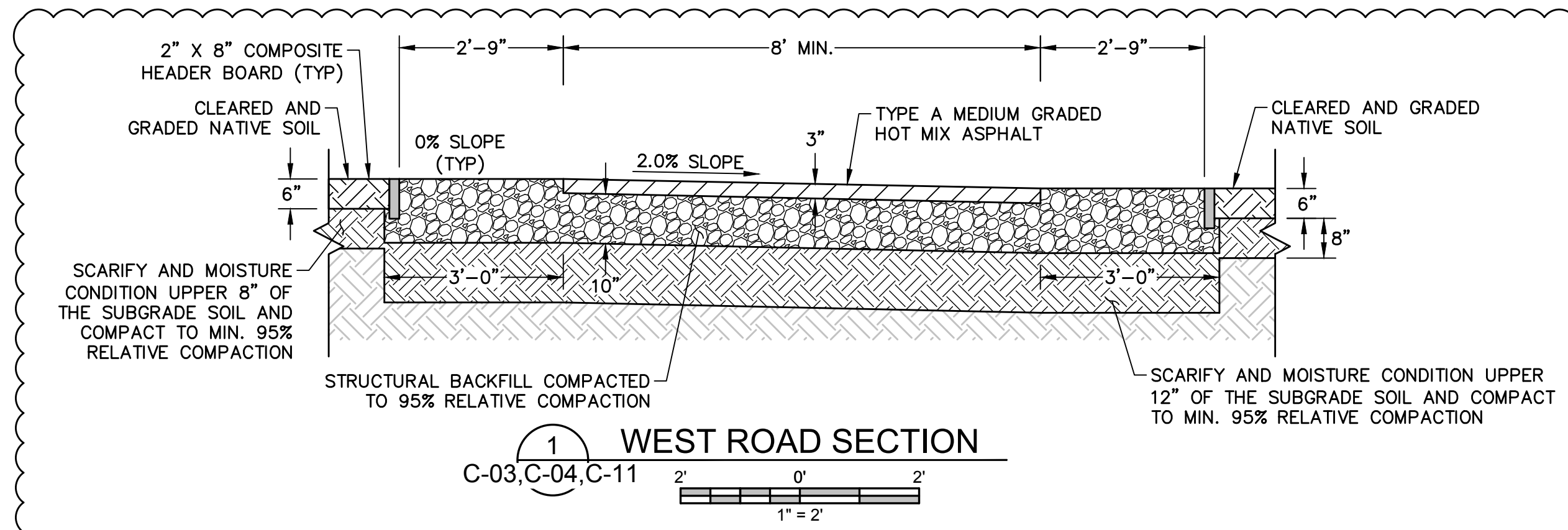
DATE APPROVED 10/24/18
DATE 10/24/18

NO.	ADDENDUM NO. 1	REVISIONS

CRITICAL WATER SUPPLY IMPROVEMENTS FOR PAJARO
MISCELLANEOUS DETAILS

C-13

SHT. 15 OF 19



REGISTERED PROFESSIONAL ENGINEER
MICHAEL E. PANDESKY
C75006
Exp. 12-31-2019
CIVIL
STATE OF CALIFORNIA
PROJECT ENGINEER DATE 10-24-18
MNS PROJECT NO. PSMCS.140099.00